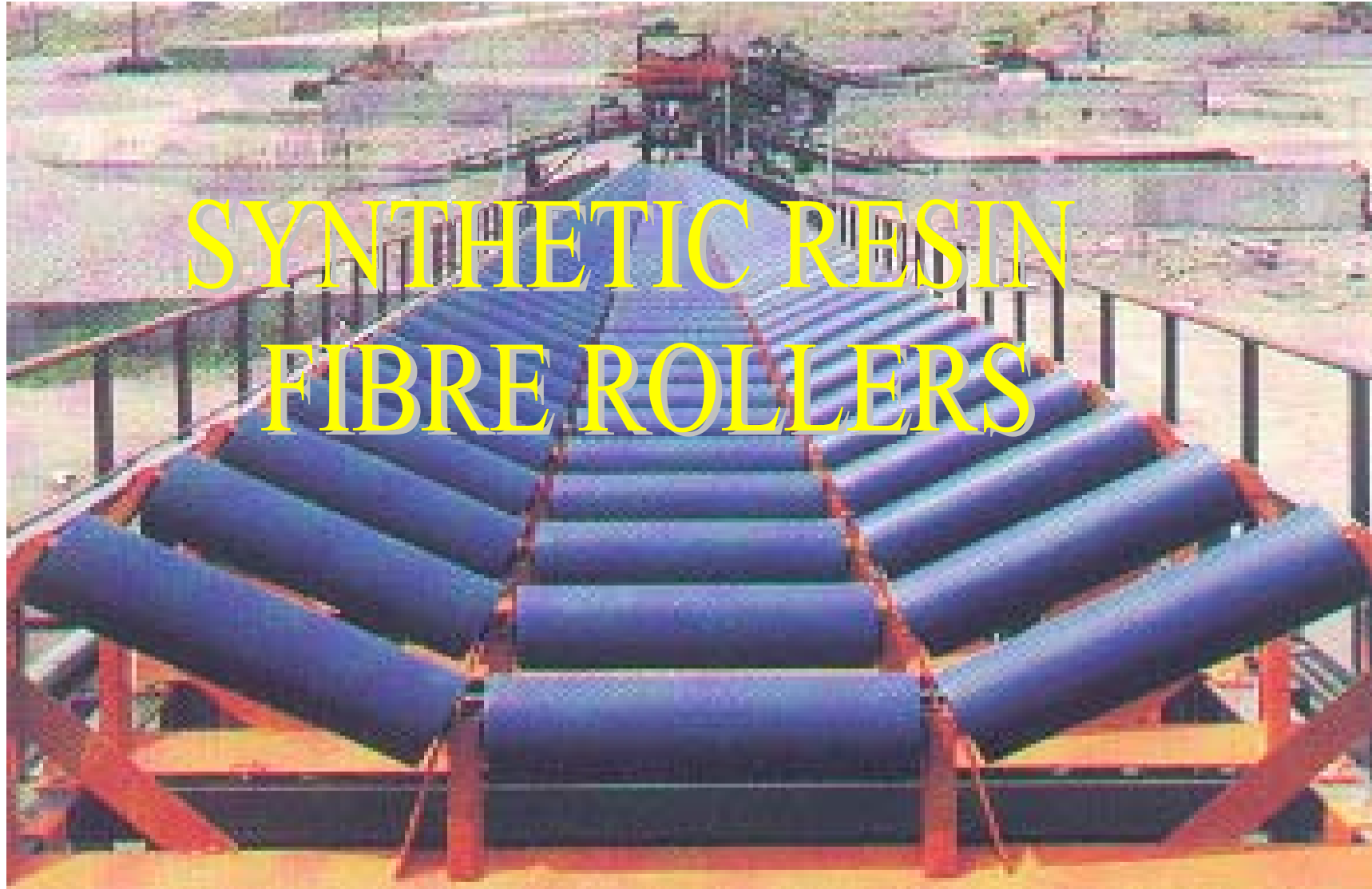




## **RED ENERGY SDN BHD (99405-H)**

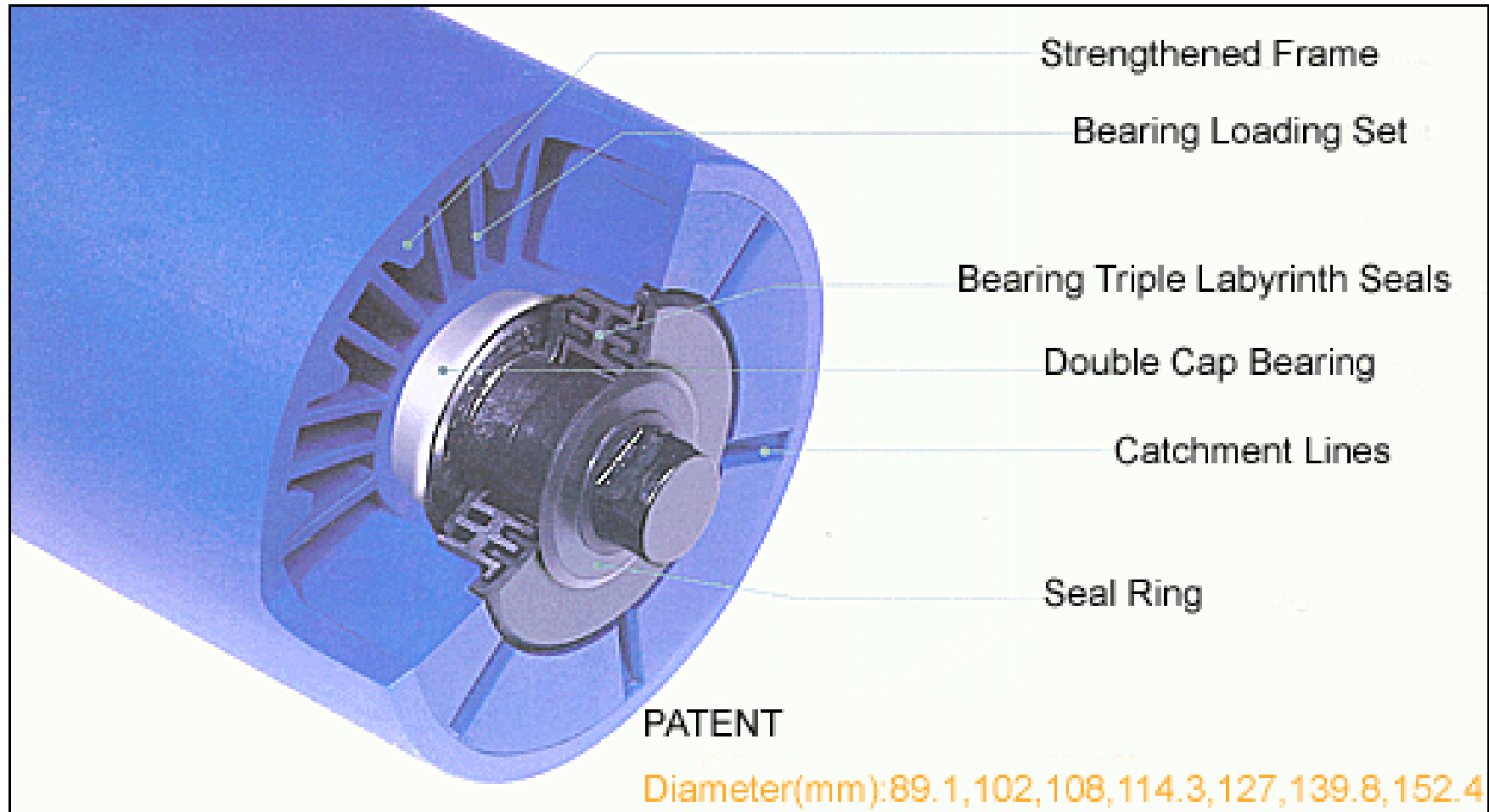
11A, JALAN PJS 11/20, BANDAR SUNWAY,  
PETALING JAYA 46150,  
SELANGOR, MALAYSIA  
TEL : + 603 56347738 FAX : + 603 56345865 / 56345874  
Website : [www.redenergy.com.my](http://www.redenergy.com.my)  
E-mail : [felicia@redenergy.com.my](mailto:felicia@redenergy.com.my)  
[pcyap@redenergy.com.my](mailto:pcyap@redenergy.com.my), [alexwong@redenergy.com.my](mailto:alexwong@redenergy.com.my)





# FIBER ROLLER DESIGN

## FIBRE ROLLER FRAME & BEARING DESIGN





## FIBER ROLLER CHARACTERISTICS

- High Density Material
- Anti-Acidity
- Anti-Alkaline
- Anti-Static Agent
- Suitable For Highly Polluted Environment
- Suitable For Humid Environment
- Silent Rotation
- Low Friction Rate
- Damage-Free Belt
- Can Replace Metallic Rollers
- Inexpensive





## FIBER ROLLER TEST COMPARISONS

Test Method: JIS, CNS, ASTM, IEC			
TEST ITEM	FIBER ROLLER	PVC ROLLER	STEEL ROLLER
Compression Test For Frame	GOOD	Normal	EXCELLENT
Operation Life Test	EXCELLENT	Normal	GOOD
Dynamic Balancing Test	EXCELLENT	EXCELLENT	GOOD
Water-Proof Test	EXCELLENT	EXCELLENT	Poor
Abrasion Resistance Test	GOOD	Normal	GOOD
Dust-Proof Test	EXCELLENT	GOOD	GOOD
Power Saving Test	EXCELLENT	EXCELLENT	Normal
No Miscellaneous Object Sticking	EXCELLENT	Normal	Normal
Cold Resistance	GOOD	Poor	GOOD
Anti-Static	EXCELLENT	Poor	GOOD
Acid Resistance	EXCELLENT	EXCELLENT	Poor
Alkaline Resistance	EXCELLENT	Normal	Poor
Chemical Resistance	GOOD	Poor	GOOD
Environmental Stress-Cracking Test	GOOD	Poor	GOOD
Light-Exposure Resistance Test	GOOD	Normal	GOOD
Ozone Chamber Test	GOOD	Normal	GOOD
Low Noise Test	EXCELLENT	EXCELLENT	Poor
Tensile Strength	EXCELLENT	GOOD	Normal
Low Friction Rate	EXCELLENT	GOOD	Poor



## FIBER ROLLER APPLICATION

